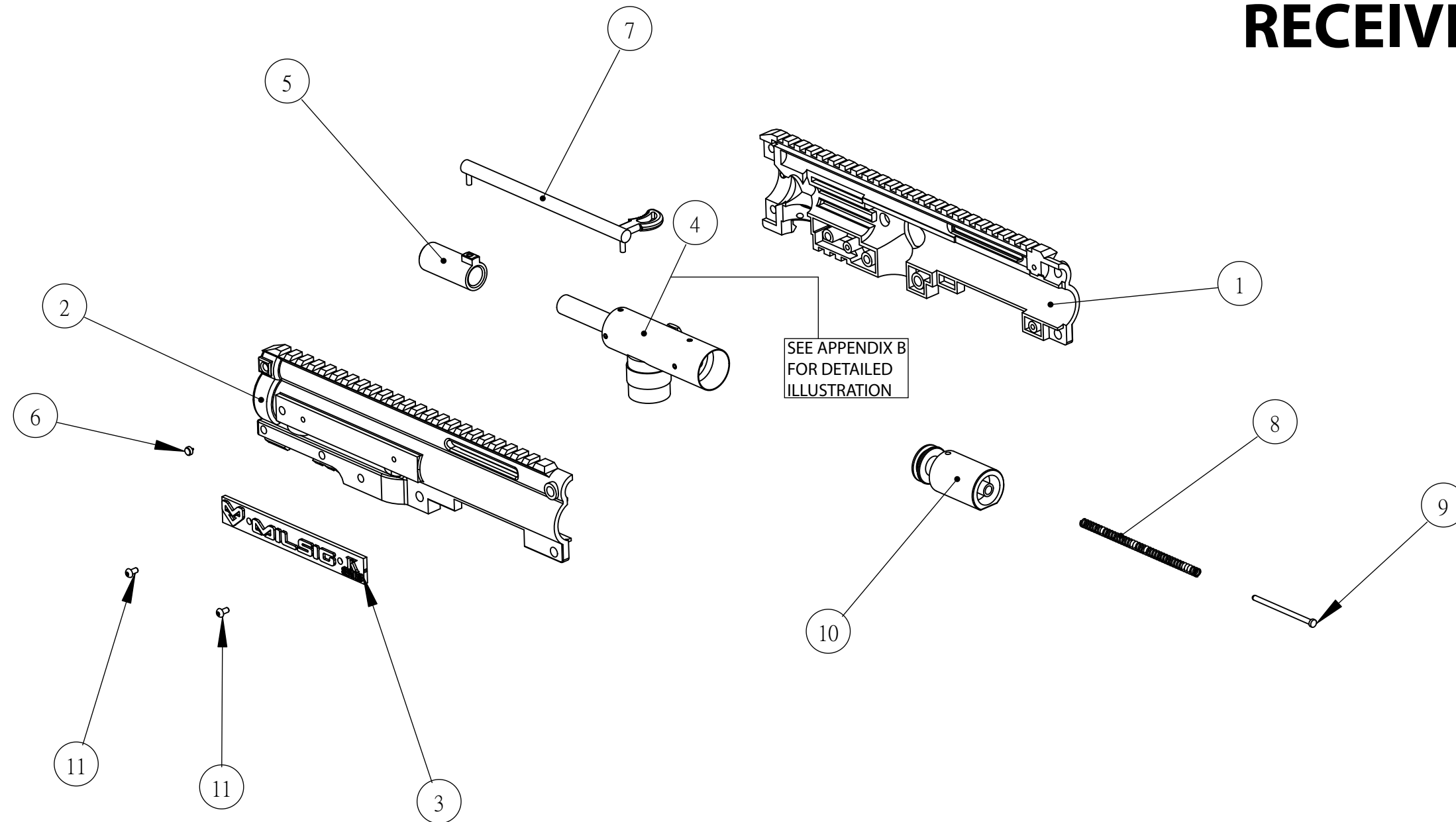


APPENDIX A



MILSIG K-SERIES RECEIVER



#	PART NAME
1	RIGHT RECEIVER BODY
2	LEFT RECEIVER BODY
3	SIDE NAME PLATE
4	POWERTUBE
5	BOLT
6	BALL DETENT
7	COCKING TUBE
8	HAMMER SPRING
9	SPRING GUIDE
10	HAMMER
11	SIDE NAME PLATE SCREWS